

# Adjusting Dampers

## DASL

[Download Wentyle](#)  
[Download AlnorCAM](#)  
[Buy via B2B](#)



### Description

Construction of the DASL cut-off damper with the rubber gasket EPDM on a flange enables using it for insulation thickness up to 50 mm. The DASL cut-off damper can be used always, when a fully air-tight closing is required. A position of the damper's plane is visible on a holder within a range 0° up to 90°. The damper's plane can be fixed by means of a bolt. For each damper DASL 355 including the diameter of the center is made of extra reinforcement. For each diameter of the dampers DASL 450 is attached mechanism including KIT-DS-H. Normally made of galvanized steel.

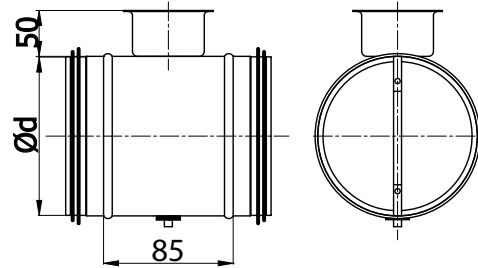
#### Example identification

Product code: **DASL- aaa**

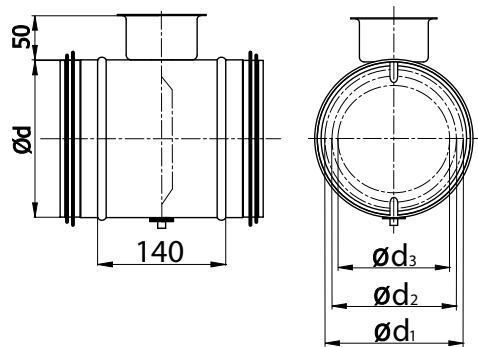
type \_\_\_\_\_  
 $\varnothing d_1$  \_\_\_\_\_

### Dimensions

for  $d_1 < 355$  center of damper is mounted on two short rods



for  $d_1 \geq 355$  center of damper is mounted on a long rod



$\varnothing d$ nom [mm]	$\varnothing d_1$ nom [mm]	$\varnothing d_2$ nom [mm]	$\varnothing d_3$ nom [mm]	weigh [kg]
80*	-	-	-	0,40
100*	-	-	-	0,45
125*	-	-	-	0,55
140*	-	-	-	0,60
150*	-	-	-	0,65
160*	-	-	-	0,70
180*	-	-	-	0,75
200*	-	-	-	0,80
224*	-	-	-	0,90
250*	-	-	-	1,20
280*	-	-	-	1,40
300*	-	-	-	1,50
315*	-	-	-	1,60
355**	330	295	263	2,70
400**	330	295	263	3,30
450**	370	337	293	4,50
500**	370	337	293	5,00
560**	490	457	413	6,30
600**	490	457	413	6,70
630**	490	457	413	7,20

\*manufactured with pressed inside parts

\*\* Dampers of diameters bigger than 630 mm should be used as multi-plane dampers with a passage for a round duct DASQL.